

WARNING: Please read before using this product.

1. Serious injury or death can result if bed rails are not properly installed. Entrapment has resulted in injuries and death. Entrapment is a situation where an individual can become wedged between a bed rail and any other object. The possibility of an individual's head, body, arms, or legs could be trapped between the bars of a bed rail, between the bed rail and a head or footboard of a bed, or between the bed rail and a mattress. *While there are no specific guidelines for home bed rails, Stander Inc. is committed to providing safe products and informing the user of ways to prevent accidents.*
2. Stander Inc. come equipped (if needed) with safety straps and protective bed rail coverings (material that covers openings within the bed rail frame). Always use the safety straps and protective bed rail coverings (commonly referred to as organizers). Do not use bed rails without the safety straps and protective coverings. These devices minimize possible entrapment conditions.

SAFETY PRECAUTIONS:

- ✓ Regularly check the bed rail to identify areas of possible entrapment.
 - ✓ Position the bed rails away from head or footboards of a bed to avoid the head from becoming entrapped between the bed rail and head or footboards of the bed.
 - ✓ Make sure that there is no gap between the bed rail and the side of the mattress. A gap could allow the user to become wedged between the bed rail and the mattress.
 - ✓ Additional safety measures should be taken for users that are a high risk. Such users include those who are not mentally conscious (including those individuals under medication), users who have size or weight conditions that may change the gap between the bed rail and the mattress, and users who are generally restless while awake or asleep.
 - ✓ If you have any concerns or questions regarding these precautions, please contact Stander Inc. at 1-800-506-9901.
3. If you are suffering from an ailment or injury or are taking medications that affect your balance or ability to stand or sit down, you should first consult with a physician before using this product. If the product is not used properly, serious injury or harm could result.
 4. The product was not intended to carry the full weight of an individual. This product is only intended to provide balance and support while sitting and standing.
 5. The product instructions must be carefully followed to ensure that the product is properly assembled and positioned. Failure to follow the instructions could result in serious injury to the user(s) of the product.
 6. Children should not be allowed to hang on or play with the product.
 7. It is important that the weight of the mattress is adequate to support the bed rail product. The bed rail is not well suited for and should not be used with light-weight foam or other light-weight mattresses.
 8. **DISCLAIMER:** Neither Stander, Inc. nor the manufacture is liable for any harm or injury that may result or has resulted from the improper use or assembly of the product.

Limited Warranty

Congratulations on your purchase of your bed rail product. We hope that it will ease your daily living. Please read the following warranty statement for your protection.

Stander Inc. warrants to the original purchaser that this product will be free from defects in material and/or workmanship for 1 year from the date of purchase. During the warranty period, Stander Inc. will correct any defects in material or workmanship, at no charge. The original purchaser, however, must prepay shipping cost. Any replacement parts will be new and are warranted for the remainder of the original warranty or thirty (30) days from the date of shipment, whichever is longer. The original purchaser must notify Stander Inc. during the warranty period in writing of the defect in workmanship or material. This warranty is not transferable and covers only normal use. **NO SHIPPING CHARGES ARE REFUNDABLE.**

The warranty does NOT cover the following:

- Damage during shipment other than original shipment to retailer.
- Damage caused by unauthorized attachments, alterations, or modifications.
- Damage caused by the use of the product for purposes other than those for which the product was designed or intended.
- Damage caused by any other abuse, misuse, mishandling or misapplication.

Under no circumstances shall Stander Inc. be liable for any special, incidental, or consequential damages based upon breach of this limited warranty, breach of contract, or strict liability.

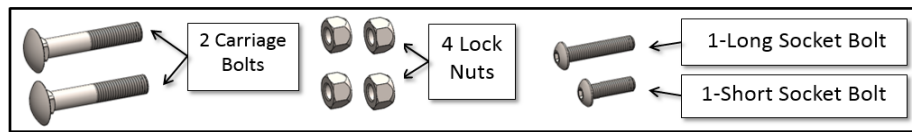
THERE ARE NO WARRANTIES WHICH EXTEND BEYOND THE DESCRIPTION ON THE FACE HEREOF. ALL OTHER WARRANTIES, EXPRESS OR IMPLIED (INCLUDING ALL IMPLIED WARRANTIES OF MERCHANTABILITY OR FITNESS FOR A PARTICULAR PURPOSE), ARE HEREBY DISCLAIMED.

Some states do not allow limitations on how long an implied warranty lasts, so the above limitation may not apply to you. This warranty gives you specific legal right, and you may also have other rights, which vary from state to state.

To obtain service under this warranty, you can reach Stander Inc. at (800) 506-9901.



Hardware:



Instructions:

1. Remove all components from the box and become familiar with the items as shown in Figure 1.

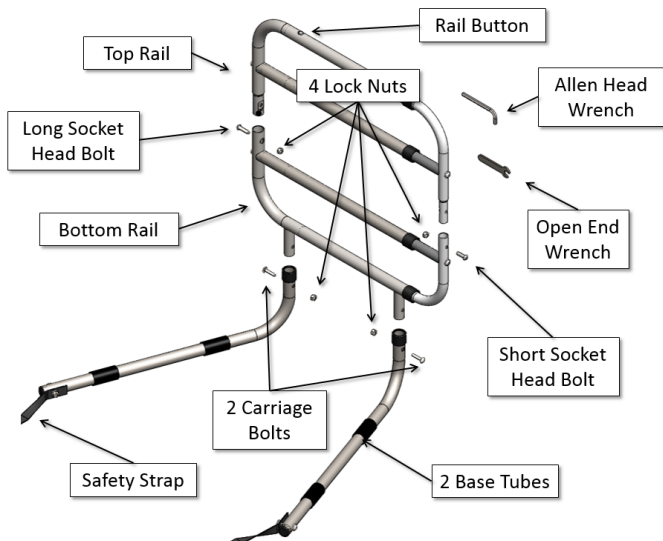


Figure 1

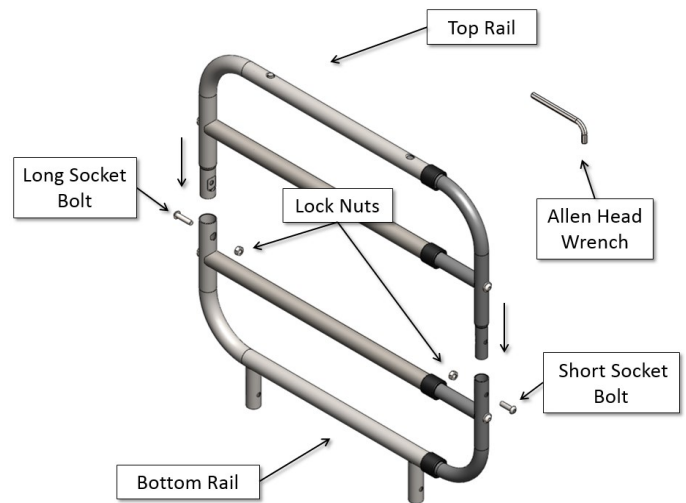


Figure 2

2. Using the included Allen Head Wrench, insert Top Rail into Bottom Rail and secure the rails together with the Long Socket Bolt, Short Socket Bolt, and 2 Lock Nuts as shown in Figure 2.

NOTE: Long Socket Bolt goes through the large diameter tubing and Short Socket Bolt goes through small diameter tubing.

3. **IMPORTANT:** The Base Tubes can be assembled 2 different ways depending on which side the bed the product will be used. Determine which side of the bed you will be installing the product as shown in Figure 3 and then attach the Base Tubes as shown in Figure 4.

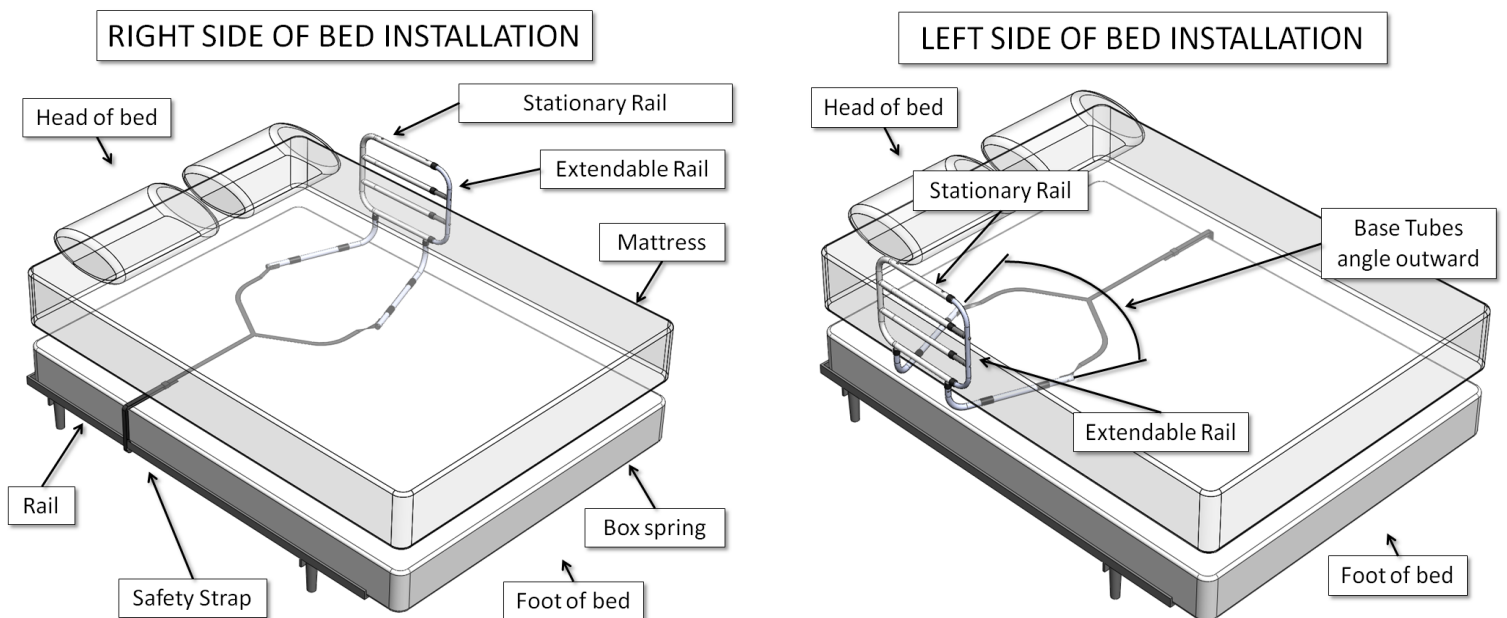


Figure 3

4. **IMPORTANT:** Before attaching the Base Tubes, please note that the Base Tubes are different from each other :

- Holes (that the Bolts go through in the Base Tubes), are angled differently from each other.
- Each of the Base Tubes have both a square hole and a round hole.
- When assembled, the Base Tubes are angled outward as seen in Figure 3.
- Square holes on the Base Tubes should be facing outward and round holes should be facing inward.
- Bolts are inserted into the square holes and exit through the round holes as shown in Figure 4.

Using the included Open End Wrench, insert Bottom Rail into the Base Tubes and secure with Carriage Bolts and Lock Nuts as shown in Figure 4.

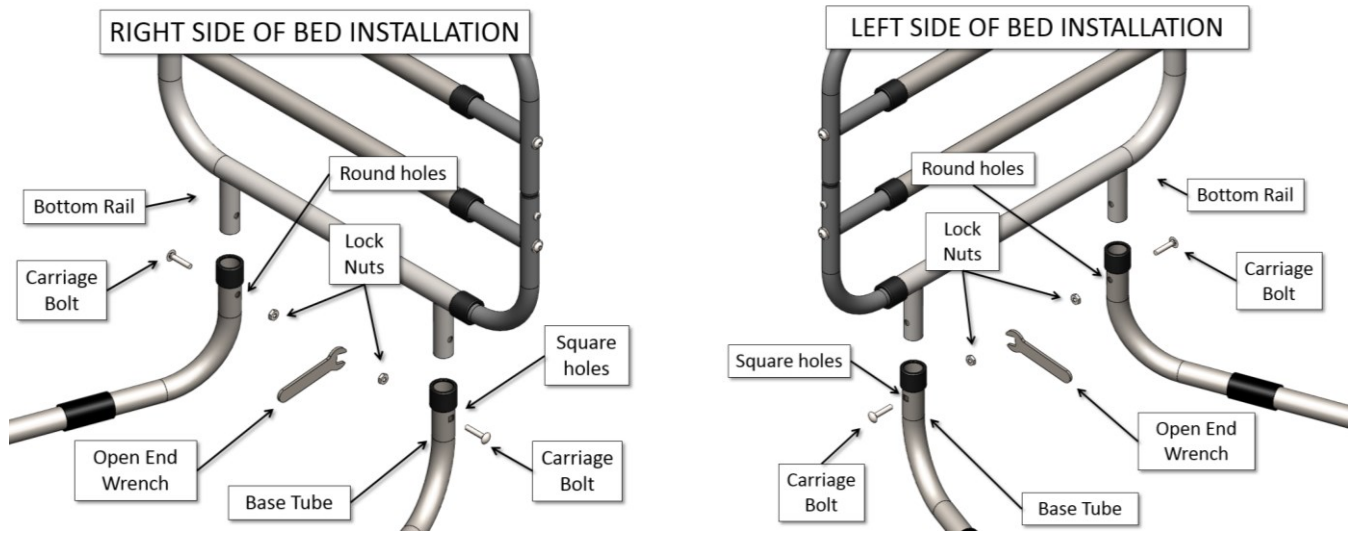


Figure 4

5. After assembly, place product “between” the mattress and box spring of the bed and secure the Safety Strap to the rail on the other side of the bed. Also place the vertical edge of the Bed Rail approximately 18” away from the head of the bed as shown in Figure 5.

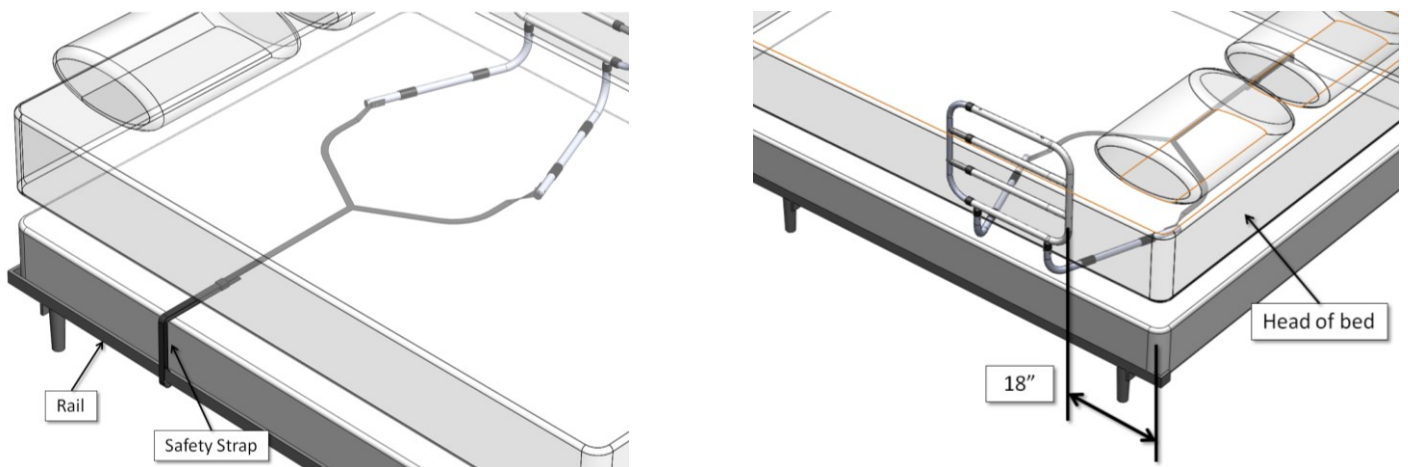


Figure 5

NOTES:

- PUSH Rail Button to extend bed rail (see Figure 1).
- The stationary side is always closest to the head of the bed and the extendable side is always closest to the foot of the bed.
- When the Base Tubes are assembled properly, they angle outward with respect to each other.
- The Base Tubes go between the Mattress and Box Spring of the bed.